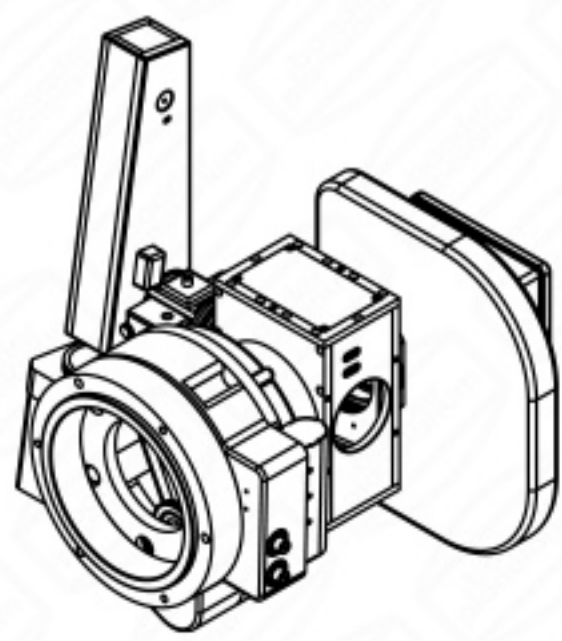
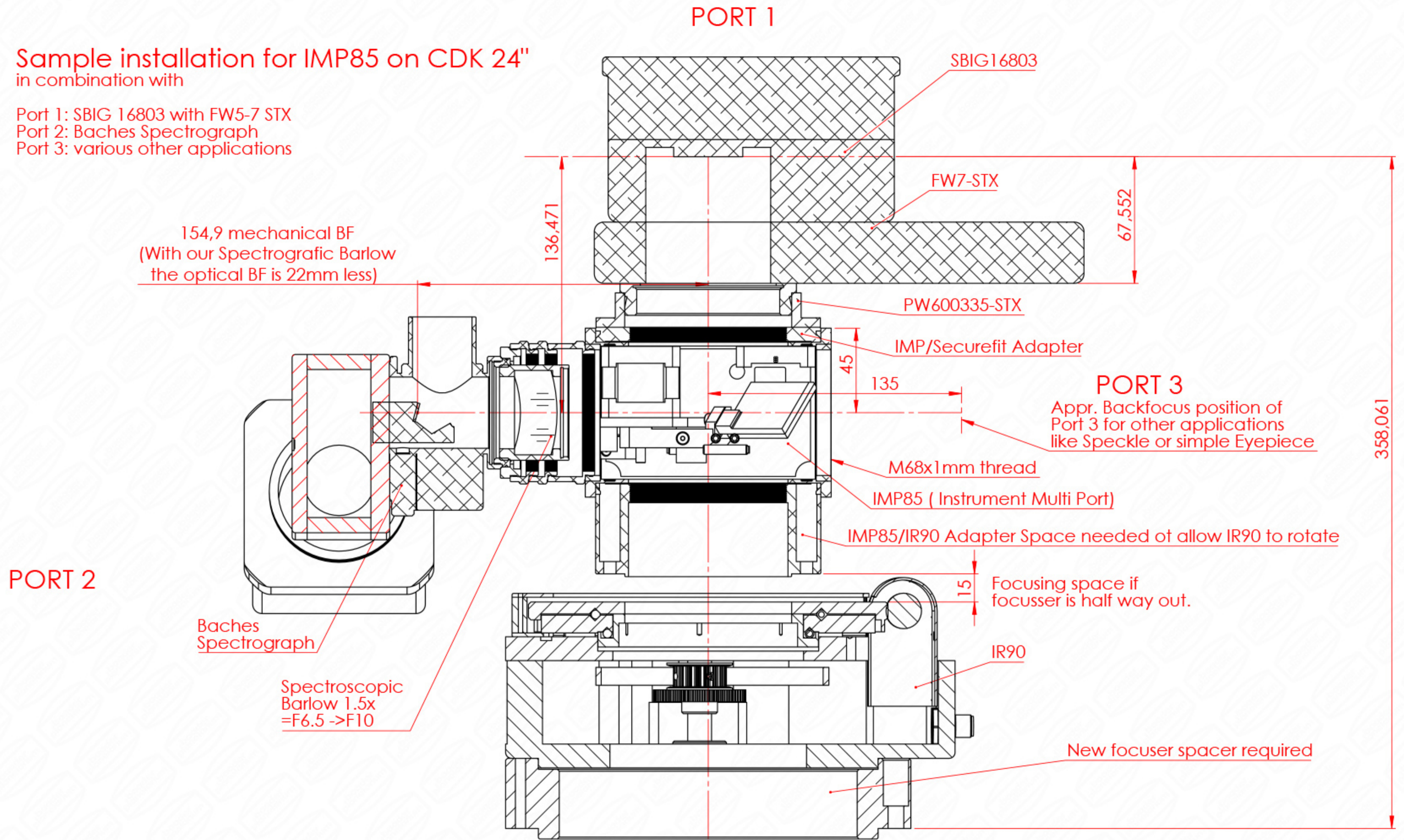


**Sample installation for IMP85 on CDK 24"**  
in combination with

- Port 1: SBIG 16803 with FW5-7 STX
- Port 2: Baches Spectrograph
- Port 3: various other applications



**BF: CDK 24" : 358mm**